

RY-IP44

Input/Output Network Adaptor

Programming Manual

For use with the IPW-1A



For instructions on how to program the RY-IP44 with the IX2 Series, please go to www.aiphone.com/IX2-RYIP44

For instructions on how to program the RY-IP44 with the IS IP Series, please go to www.aiphone.com/ISIP-RYIP44

ATTENTION:

This manual is for programming the RY-IP44 with the IPW-1A only. Refer to the IPW-1A Installation and Operation Manuals for complete installation/programming information.

Package Contents

- RY-IP44
- Programming Manual
- 6 Screw Terminal Blocks
- MAC Address Label

Installation Requirements

- General understanding of IPW-1A programming
- 9-30V DC power supply (sold separately)
- Unique IP address for each adaptor

Overview / Description

The RY-IP44 is a Barix Barionet 50 with proprietary firmware installed for the device to function with the Aiphone IPW-1A system.

The 4 relay outputs can be programmed to trigger for door release, while calling, while communicating, or while calling and communicating.

The RY-IP44 is not a PoE device and requires a dedicated 9-30V DC power supply. Use the Aiphone PS-1208UL power supply (sold separately).

Configuring the RY-IP44 (assigning IP address and system use)

The RY-IP44 has a default IP address of 192.168.1.45. Open a web browser and point the address bar to **192.168.1.45** for access to the adaptor. The first screen to appear will be the **Device Status** screen.

Configuration button

Digital input status

Relay status and control.
Click on each LED to verify relay function.

Click the **CONFIGURATION** button to open the **Device Configuration** screen. This is where a unique **IP Address**, **Netmask**, and **Gateway** can be assigned to the adaptor. Consult with your IT department for these settings.

Settings not utilized for Aiphone functionality. Do not adjust.

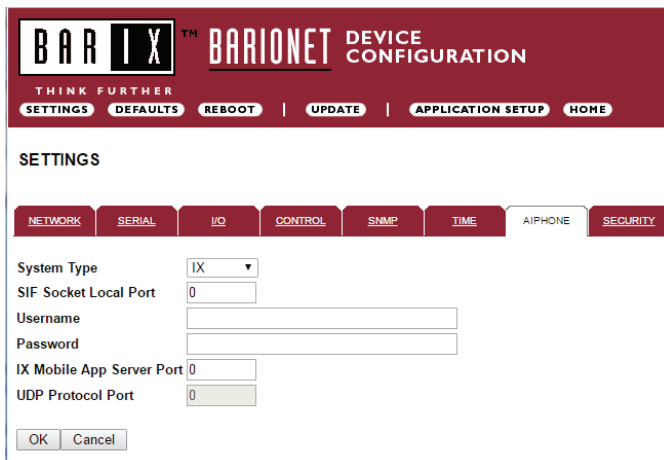
AIPHONE: Select the Aiphone system type the relay is to be used with.

SECURITY: For creating a password for access to the web browser interface.

Enter new IP Address if default is not to be used.

Configuring the RY-IP44 (continued)

The Aiphone system type that the adaptor is being integrated with will need to be selected. Click the **AIPHONE** tab. Use the drop down by **System Type** to select the IPW-1A system. Enter a **UDP Protocol Port** number or leave at 0 to use the default (1724). When done, click OK. Click **Reboot** on the next screen to restart the adaptor.



System Type: Select IPW-1A

UDP Protocol Port: Enter "0" if default port (1724) is to be used. Port 1724 is the default port on the IPW-1A stations for UDP messaging.

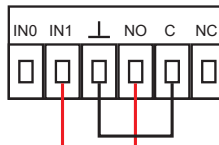
Relay Output Programming

The RY-IP44 has 4 relays that can be programmed to trigger while calling, while in communication, or while calling and communicating with a specific door station. The relays can also be programmed for door release.

Relay Action options:

- Door Release - Normally-Open
 - Door Release - Normally-Closed
 - Active while Calling from source
 - Active while in Communication with source
 - Active during Calling and Communication
 - Active While Any Station Calling
- } *Relay will trigger when the PC master station pushes the door release button.
- } Relay will trigger when the associated door station calls or communicates.
- } Relay triggers when any station calls. No assignment required.

* When using the RY-IP44 for door release, the relay on the IPW-1A must be set to door release and the relay must be jumpered to the sensor input as shown below.



From the **Device Configuration** screen, click **APPLICATION SETUP**.



Application Setup button

Relay Output Programming (continued)

Enter the Station ID for the IPW-1A to be associated with each relay on the RY-IP44. Select the relay condition from the **Relay Action** drop down menu. When done, click on **Apply Settings**. Click **Reboot** on the next screen to restart the adaptor with the applied settings.

Relay Output Functionality

Relay Station ID	Relay Action
1 <input type="text" value="1"/>	Door Release: Normally-Open
2 <input type="text" value="0"/>	Door Release: Normally-Open
3 <input type="text" value="0"/>	Door Release: Normally-Closed
4 <input type="text" value="0"/>	Active While Calling From Source
	Active While Communicating
	Active While Calling From Source And Communicating
	Active While Any Station Calling

RY-IP44 Dimensions



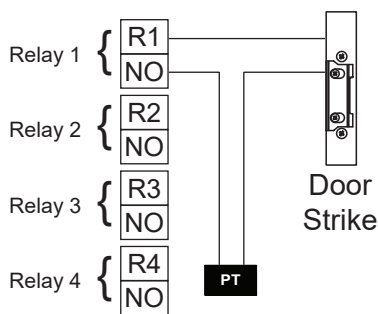
Mounting:

The RY-IP44 adaptor mounts to an Aiphone W-DIN11 mounting rail (sold separately).

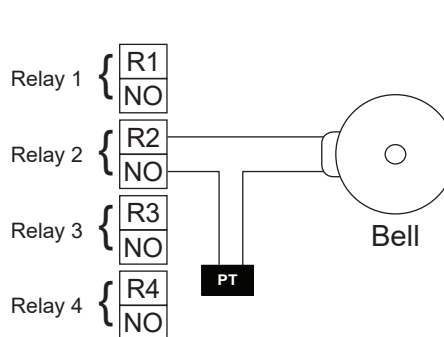
RY-IP44 Wiring

PT = Power Transformer (use proper power for the strike, mag lock, or external signaling device being used).
 Relay contact rating: 30V DC, 0.5A.

Door release:

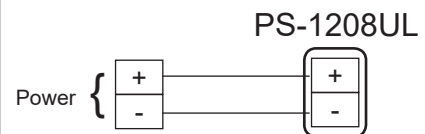


External signaling:



Power:

Use a 9-30V DC (300mA @ 12VDC) power supply to power the RY-IP44 adaptor. Use the Aiphone PS-1208UL power supply (sold separately).



FCC WARNING:

This device complies with Part 15 of the FCC rules.

Operation is subject to the following two conditions:

(1) This device may not cause harmful interference.

(2) This device must accept any interference that may cause undesired operation.

- For proper regulatory compliance, the drain wire should be disconnected at the power supply end of the cable.
- Changes or modifications not expressly approved by the party responsible for compliance could void the user's authority to operate the equipment.

Aiphone Corporation

www.aiphone.com

tech@aiphone.com

800-692-0200